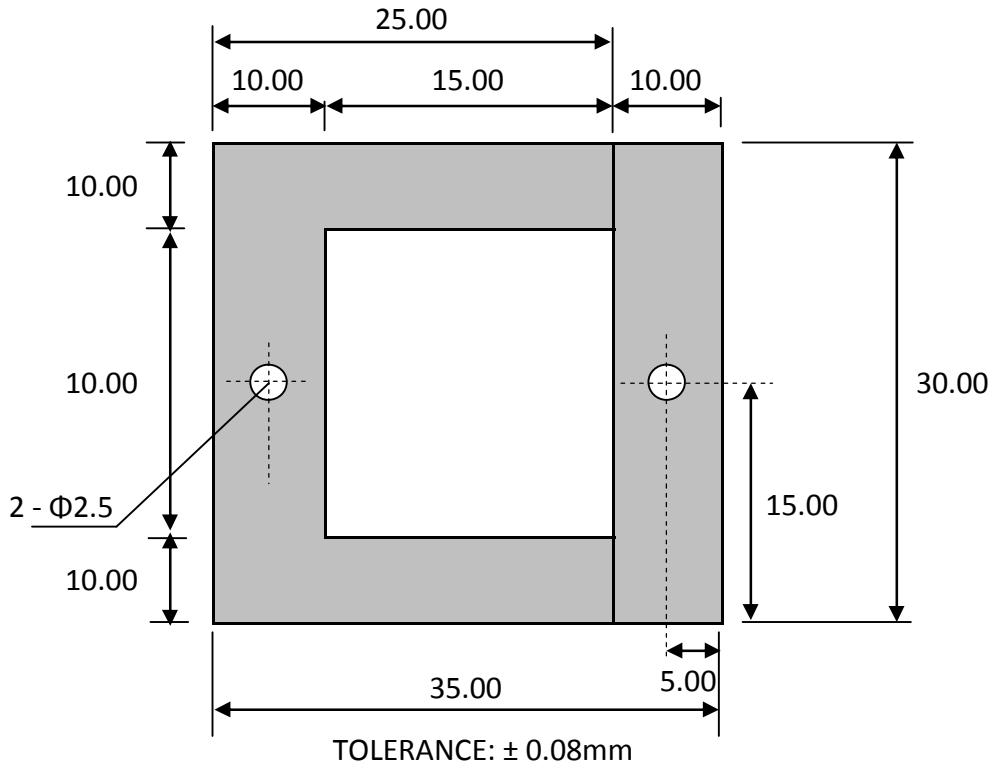




HONGER TECHNOLOGY (HK) LIMITED

Rm2103-2106, Hongfa Center Building, N5 District, Bao'an Center, Shenzhen, China.

UI 30



Unit in MM

K1 (STACKING FACTOR)

Thickness (mm)	Butt jointed	Interleaved one per layer
0.15	0.90	0.80
0.2	0.90	0.85
0.35	0.95	0.95

WEIGHT & PIECES

MATERIAL TYPE	THICKNESS (mm)	GRAMS/PIECE	PIECES/KG
PC (Ni 80%)	0.35	2.7262	367
PB (Ni 48%)			